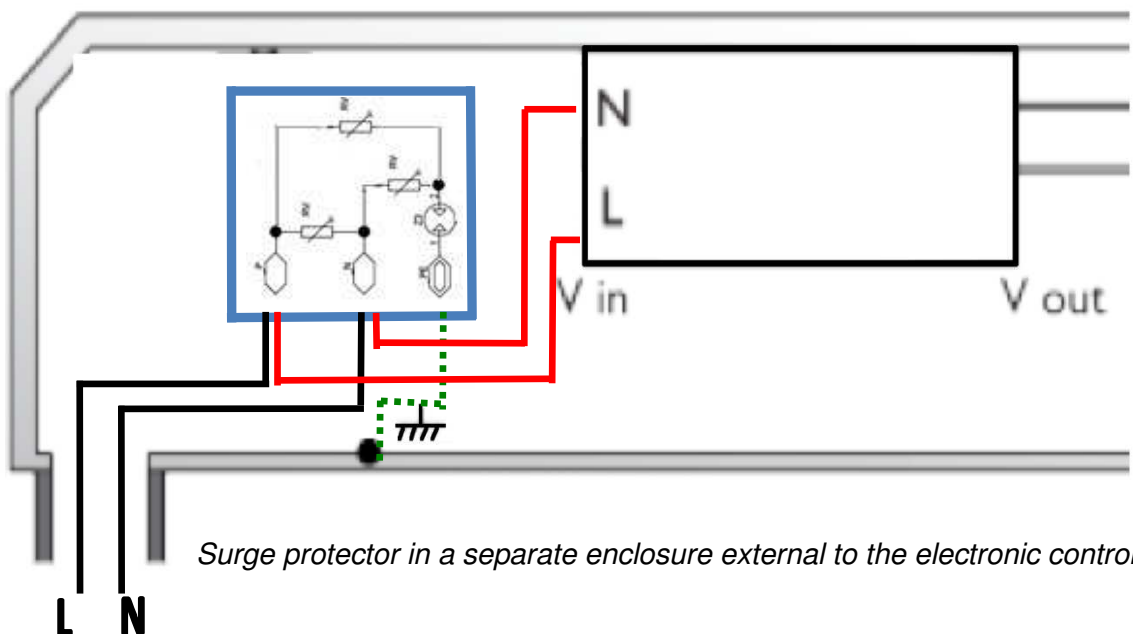


## OSM/LUM DECISION SHEET (DSH)

Standard(s):	Subclause(s):	Tracking No.	Year
IEC 60598-1/2008 IEC 61347-1/2007 A1/2010 IEC 61347-2 Series	4.10 – 7.2.10 – 8.2.1  8.1	DSH 1052	2012
<b>Category:</b>			
LITE			
Subject:	Key words:	Developed by	
Surge protectors	<ul style="list-style-type: none"> <li>- Surge protectors</li> <li>- Spark suppressor</li> <li>- Protective devices</li> </ul>	ETF5-OSM/LUM	

### Question

Can this surge protective device with a varistor and a discharge device in series (see attached the functional scheme) be connected between the mains terminal of a luminaire and accessible conductive part of Class II luminaire? Or between mains terminal and functional earth of Class II luminaire?



**Decision**

Such protective devices can be used only in Class I luminaires / Control gears where a reliable protective earth connection can be granted.

**Explanatory notes**

---